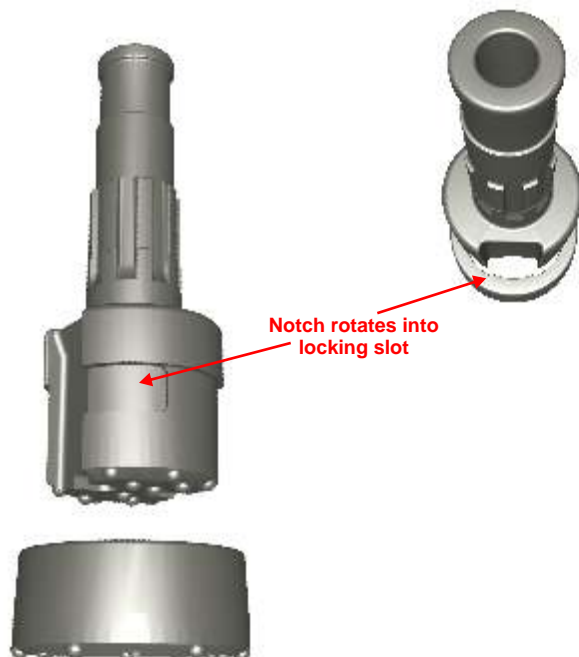


Whether you prefer drive shoe style underreaming or casing driver underreaming (for deeper more difficult formations) Holte ring bit systems are a durable solution for casing installation in overburden. Choose from the drive shoe style or casing driver style in sizes 6" to 10".

HOLTE URC-CD - Casing Driver Style

The **Casing Driver System** (shown below) drills an oversized hole and leaves the ring in the bottom of the hole with the casing. This full gauge underreamer drills faster than the eccentric style bit but loses one ring with each installed casing.



Holte Mfg. Co.
181 Polk St.
Eugene Oregon 97402
USA
(541)343-3399
f. (541)343-5777
drilling@drilling.com

